

What's new with 21CS **VSEⁿ**?

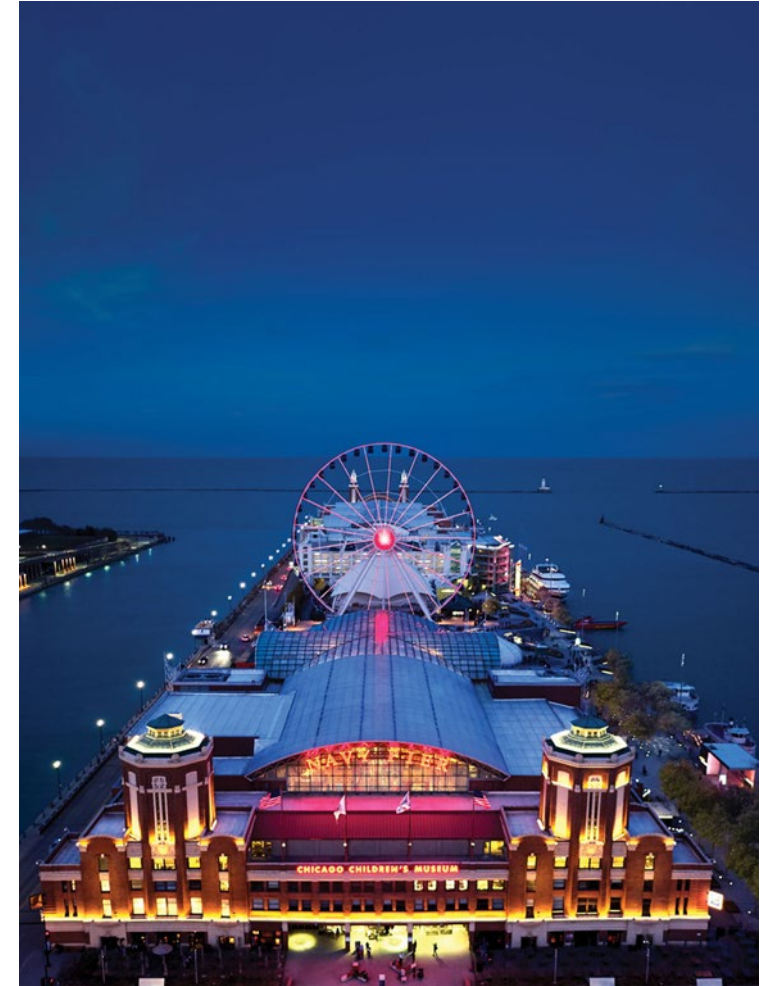
The future of VSE

Gonzalo Muelas Serrano
Vice President - VSEⁿ R&D
Center of Excellence Germany
Gonzalo.Muelas@21cs.com

21CS VSEn Strategy – the constant driving investment

- Build a sustainable VSEⁿ skilled team
- Continue delivering value to customers aligned with IBM's 'P(rotect), I(ntegrate) and E(xtend)' strategy and now we start the R(enaissance)* – **PIER**. We are the **PIER** in the harbor for your workloads
- Identify enhancement opportunities based on customer feedback and business needs
- Continue to strengthen partnerships with IBM and ISVs to offer investment protection for customers and future innovations

* Mike Riggs (retired), Supreme Court of Virginia, USA, VSEⁿ Customer



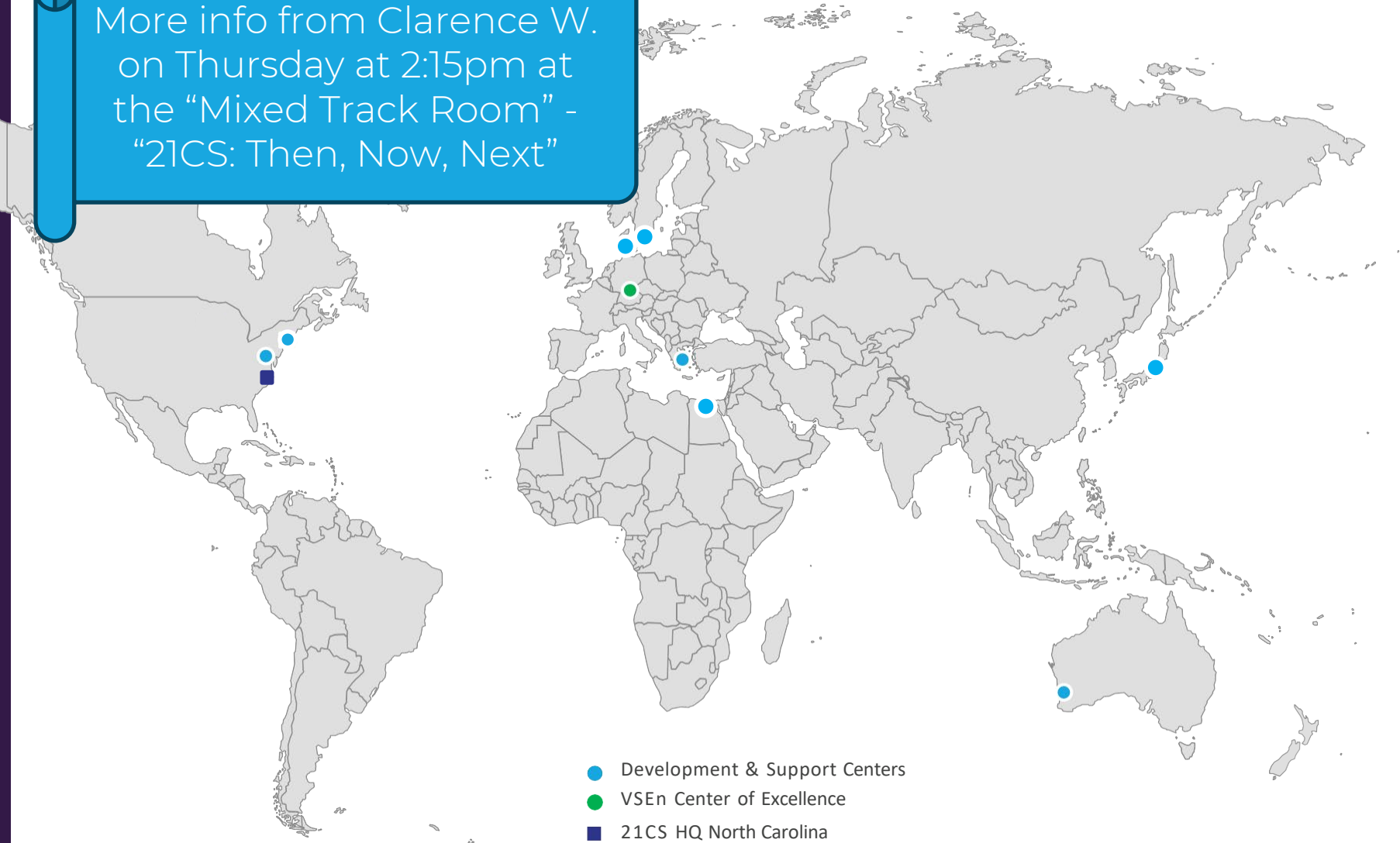
Agenda

- 21CS company and employees' update
- Updates via Service Stream (PTFs)
- New Software releases
- New IBM Z Hardware support
- Further investment areas and planned availability



More info from Clarence W.
on Thursday at 2:15pm at
the “Mixed Track Room” -
“21CS: Then, Now, Next”

Founded in 1992, 21CS is a Premier IBM Z ISV and Technology Partner with a global organization committed to providing its customers with solutions that deliver value to the IBM Z ecosystem, while enabling them to benefit from world-class customer support and innovative technology.



21CS company and employees' update

- Hiring young talents and experienced known faces:
 - +1 in Australia
 - +1 in Denmark
 - +9 in USA (+ new summer interns)



Edward Jordinson
21CS VSEⁿ L2 Support



Emil Enarsson
21CS VSEⁿ CSM



Brittney Painter
21CS VSEⁿ CSM



Alexandra Miller
21CS VSEⁿ CSM



Clarence Waldrop
Director, Channel Sales



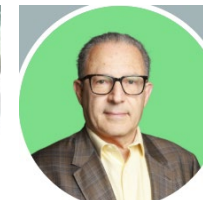
Addison Brock
21CS Marketing



Rhett Parham
21CS Marketing



Dusty Rivers
Director, Strategy



Leonard Santalucia
Director, Strategy



Cleo Clarke



Alzares Stephens
Chief Commercial Officer
Marketing Lead

- Upgrading the workplace
 - “Upgraded” the Stuttgart Office



Updates via Service Stream (PTFs)

- Support for z17-ME1
 - VSEnSCRT – APAR VA00220, PTF VP00216
 - HLASM – APAR VA00250, PTF VP00244
 - SDAID – APAR VA00269, PTF VP00264
- Updates for 21CS TCP/IP for VSEⁿ – APAR VA00276, PTF VP00266
- Updates for 21CS IPv6/VSE – APAR VA00256, PTF VP00250
- IBM Storage Safeguarded Copy VSEn console messages on-hold management support – APAR VA00268, PTFs VP00260, VP00261, VP00262.
- Latest RSL including previous APARs, PTFs as of 2025-11-04
- 21CS OLTP extra warnings to avoid Short On Storage (SOS) – APAR VA00277, PTF VP00269
- 21CS Crypto Services - Server Name Identification (SNI) support for SSL handshake – APAR VA00287, PTFs VP00282, VP00283, VP00284
- 21CS OLTP yielding loop resolution via secure rest interface – APAR VA00319, PTF VP00313
- 21CS VSEⁿ SW Stack documentation publicly available on our Website docs.21cs.com/vsen/



More info from Aleksa M. on Thursday at 1pm at the "VSE Track Room" - "21CS OLTP transaction looping, you can take care of it! (and other enhancements)"

New Software releases

- 21CS VSEⁿ 6.4
 - Announced September 16th, 2025, and delivered October 15th, 2025.
 - To get access to it, License Order needs to be updated, please contact us
 - 21CS VSEⁿ 6.3.x will be supported till at least YE 2027, start upgrade asap
 - Key features:
 - IBM z14 Architecture Level Set
 - FSU (upgrade) support directly from IBM z/VSE 6.1, 6.2 and 21CS VSEⁿ 6.3.x
 - VSEⁿ SCRT multi-release support
 - VSEⁿ System License Key support
 - IBM Storage Safeguarded Copy VSEⁿ console messages on-hold management support
 - Latest releases of 21CS TCP/IP for VSEⁿ 2.4 and 21CS IPv6/VSE 1.5
 - Rebase of VSEⁿ Crypto Services (based on OpenSSL) from 1.1.1t to 3.0.11
 - OLTP (based on IBM CICS TS technology) hardening
 - VSEⁿ Connectors support for the latest LTS Java Runtime Environments
 - VSEⁿ Connectors Cloud Native (containers) support
- 21CS SDB Client and Server 7.7 supporting longer password for client function
 - Available since May 4th, 2026
 - To get access to it, License Order needs to be updated, please contact us
 - 21CS SDB Client and Server 7.6 will be supported till at least YE 2027, start upgrade asap



More info from Michael I. on Wednesday at 1pm at the "VSE Track Room" - "21CS VSEⁿ 6.4 New Installation, Upgrade and System License Key"

More info from Jake H. on Friday at 11am at the "VSE Track Room" - "21CS SDB (DB2) Client Supporting up to 60 Character Length Password"

New IBM Z Hardware support

- 21CS VSEⁿ 6.3.x requires an IBM z114/z196 or newer.
- 21CS VSEⁿ 6.4 requires an IBM z14/z14-ZR1 or newer.
- Both, 6.3.x and 6.4 support the latest z16-A02/AGZ and z17-ME1... and will support the z17 single frame when is announced and available ;-)
- VSEⁿ PTFs z17 base support delivered on GA for 6.3.x (6.4 does not need PTFs for z17 base support):

- IOCP (APAR VA00222 / PTF VP00217)
- SCRT (APAR VA00220 / PTF VP00216)
- HLASM (APAR VA00250 / PTF VP00244)
- SDAID (APAR VA00269, PTF VP00264)

```

STR
AR 0015 CPUID VM = 00219FA891758000 VSEn = FF00100191758000
AR 0015 PROCESSOR = IBM 9175-775 02 (B9FA802) LPAR = ZR21 No. = 0033
AR 0015 CPUs = 0005 (Ded.=0000 Shr.=0005) Cap. = 06%
AR 0015 VM-SYSTEM = z/VM 7.4.0 (0100) USERID = VSEN02 VMCF = ON
AR 0015 CPUs = 0002 Cap. = 40%
AR 0015 PROC-MODE = z/Arch(64-BIT) IPL(240) 11:47:12 06/05/2025
AR 0015 SYSTEM = VSEn 6.3.1 07/20/2023
AR 0015 VSEn/AF 9.5.0 GA-LEVEL 05/17/2022
AR 0015 VSEn/POWER 9.5.0 GA-LEVEL 05/17/2022
AR 0015 IPL-PROC = $IPLESJ JCL-PROC = $$JCL
AR 0015 SUPVR = $$ASSUPI TURBO-DISPATCHER (B3) ACTIVE
AR 0015 HARDWARE COMPRESSION ENABLED
AR 0015 CAPACITY MEASUREMENT ACTIVE
AR 0015 SEC. MGR. = BASIC SECURITY = ONLINE
  
```

```

STR
AR 0015 CPUID VM = 00219FA891758000 VSEn = FF00200091758000
AR 0015 PROCESSOR = IBM 9175-775 02 (B9FA802) LPAR = ZR21 No. = 0033
AR 0015 CPUs = 0005 (Ded.=0000 Shr.=0005) Cap. = 06%
AR 0015 VM-SYSTEM = z/VM 7.4.0 (0201) USERID = VSEN02 VMCF = ON
AR 0015 CPUs = 0002 Cap. = 40%
AR 0015 PROC-MODE = z/Arch(64-BIT) IPL(240) 04:41:54 CDT 09/26/2025
AR 0015 SYSTEM = VSEn 6.4.0 09/22/2025
AR 0015 VSEn/AF 9.6.0 GA-LEVEL 09/11/2025
AR 0015 VSEn/POWER 9.6.0 GA-LEVEL 08/07/2024
AR 0015 IPL-PROC = $IPLESJ JCL-PROC = $$JCL790
AR 0015 SUPVR = $$ASSUPI TURBO-DISPATCHER (B3) ACTIVE
AR 0015 HARDWARE COMPRESSION ENABLED
AR 0015 SEC. MGR. = BASIC SECURITY = ONLINE
  
```

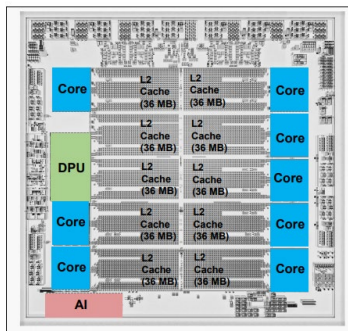


Figure 2-13 Single PU chip floor plan

- DPU / Network Express Adapter exploitation
 - Planned to be available in July 2026
 - Alternative till exploitation is available:
 - Use OSA Express 7S instead of the Network Express Adapter
 - Or use VSEⁿ under z/VM VSWITCH with Network Express Adapter outbound and inbound virtual NICs and TCP/IP stack with Layer2 support

Further investment areas and planned availability

- IBM z17 Network Express Adapter/DPU architecture support – 3Q 2026
- Past 2038 (Unix time/LE/C) and 2042 (Mainframe clock) year support – 2027
- IBM Z HW Secure Boot support - 2027
- 21CS Crypto Services (OpenSSL) TLS session resume support and rebase to 3.5 – 3Q 2026
- 21CS MQ cypher suite update – 3Q 2026
- 21CS VSEn SCRT GUI

More info from Jonah H. on Wednesday at 4:45pm at the “VSE Track Room” - “21CS VSEn SCRT: The process...And How to Review for Correctness”
- 21CS COBOL improved performance with newer HW instructions support - 2027
- 21CS VSEⁿ extension for VSCode – 3Q 2026

More info from Eddi J. on Thursday at 3:30pm at the “VSE Track Room” - “21CS VSEn Connectors and VSCode - Efficient and modern ways of working with VSEn”
- 21CS VSEⁿ AI ChatBot – Beta 3Q 2026

More info from Gonzalo M. on Friday at 1pm at the “VSE Track Room” - “21CS VSEn AI ChatBot - on your premises and supervised by you!”
- 21CS VSEⁿ SW Stack documentation further enablement
- 21CS VSEⁿ Customer Portal – 3Q 2026

More info from Liz B. on Friday at 2:15pm at the “VSE Track Room” - “21CS Customer Portal ”



Thank you!

21CS VSEⁿ Stack (base and optional) 1 of 2

IBM PID	IBM z/VSE Stack Product Name	21CS VSE ⁿ Stack Product Name
5686-VS6	IBM z/VSE 6.2 (including LE, LE DBCS, OS/390 APIs, REXX, z/VSE Connectors)	21CS VSE ⁿ 6.3 (including LE, LE DBCS, OS/390 APIs, REXX, VSE ⁿ Connectors)
5686-065	IBM ACF/VTAM VSE/ESA	21CS VCDD for VSE ⁿ
5655-VSE	IBM CICS TS for z/VSE	21CS OLTP for VSE ⁿ
5747-DS2	IBM ICKDSF	21CS ICKDSF for VSE ⁿ
5656-260	IBM EREP	21CS IDRP for VSE ⁿ
5686-CS1	IBM TCP/IP for z/VSE	21CS TCP/IP for VSE ⁿ
5686-BS1	IBM IPv6/VSE	21CS IPv6/VSE
5696-234	IBM HLASM	21CS HLASM for VSE ⁿ
5648-099	IBM DITTO (base and optional)	21CS SMDMU for VSE ⁿ (optional, in 6.3.1 part of base)
5686-VS6	IBM Encryption Facility for z/VSE (optional)	21CS Encryption Facility for VSE ⁿ (optional)
5696-234	IBM HLASM ToolKit (optional)	21CS HLASM ToolKit for VSE ⁿ (optional)
5686-068	IBM COBOL for VSE/ESA (optional)	21CS COBOL for VSE ⁿ (optional)
5686-069	IBM PL/I for VSE/ESA (optional)	21CS PL/I for VSE ⁿ (optional)
5686-A01	IBM C for VSE/ESA	21CS C for VSE ⁿ (optional)
5686-A02	IBM Debug Tool for VSE/ESA (included in „Full Function“ compilers) (optional)	21CS Debug Tool for VSE ⁿ (optional)
5746-RG1	IBM DOS/VS RPG II	21CS RPG II for VSE ⁿ (optional)
5746-SM3	IBM DFSORT/VSE (optional)	21CS SMCART for VSE ⁿ (optional)
5746-XE7	IBM VSE/ACLR (optional)	21CS AUDT for VSE ⁿ (optional)
5746-XX1	IBM DL/I VSE (optional)	21CS HDB for VSE ⁿ (optional)
5697-F42	IBM DB2/VSE Server	21CS SDB Server for VSE ⁿ (optional)
5697-F42	IBM DB2/VSE Client	21CS SDB Client for VSE ⁿ (optional)
5746-XXT	IBM SDF II CICS SCREEN DEF. VSE	21CS SCRDEF for VSE ⁿ (optional)

21CS VSEⁿ Stack (more optional) 2 of 2

IBM PID	IBM z/VSE Stack Product Name	21CS VSE ⁿ Stack Product Name
5686-057	IBM GDDM/VSE	21CS GPSP for VSE ⁿ
5668-723	IBM GDDM-IVU	21CS GPSP-IVU for VSE ⁿ
5668-801	IBM GDDM-IMD	21CS GPSP-IMD for VSE ⁿ
5668-812	IBM GDDM-PGF	21CS GPSP-PGF for VSE ⁿ
5655-U97	IBM WebSphere MQ Server	21CS MQ Server for VSE ⁿ
5686-040	IBM PSF/VSE	21CS PPF for VSE ⁿ
5688-190	IBM PPFA/370 VSE Feature	21CS PDCF for VSE ⁿ
5688-191	IBM OGL/370 VSE Feature	21CS EFM for VSE ⁿ
5648-B33	IBM AFP Font Collection for VSE	21CS AFP Font Collection for VSE ⁿ

IBM Storage Safeguarded Copy VSEⁿ console messages on-hold management support

```

SYSTEM:  VSEn                VSEn 6.3                TURBO (01)                USER:  2060
                                                TIME:  11:00:38
X2-0422 VDA0101R - ENTER DECISION ANALYZER COMMANDS USING THIS ID
AR 0028 1H09I  OPER INFO  SYSXXX=70A
AR 0028 1H09I  SUBSYSTEM STATUS CHANGE: PPRC PAIR SUSPENDED
AR 0028 1H09I  OPER INFO  SYSXXX=719
AR 0028 1H09I  SUBSYSTEM STATUS CHANGE: PPRC PAIR SUSPENDED
AR 0028 1H09I  OPER INFO  SYSXXX=B00
AR 0028 1H09I  SUBSYSTEM STATUS CHANGE: PPRC PAIR SUSPENDED
AR 0028 1H09I  OPER INFO  SYSXXX=528
AR 0028 1H09I  SUBSYSTEM STATUS CHANGE: PPRC PAIR SUSPENDED
AR 0028 1H09I  OPER INFO  SYSXXX=D1C
AR 0028 1H09I  SUBSYSTEM STATUS CHANGE: PPRC PAIR SUSPENDED
AR 0028 1H09I  OPER INFO  SYSXXX=723
AR 0028 1H09I  SUBSYSTEM STATUS CHANGE: PPRC PAIR SUSPENDED
AR 0028 1H09I  OPER INFO  SYSXXX=D00
AR 0028 1H09I  SUBSYSTEM STATUS CHANGE: PPRC PAIR SUSPENDED
AR 0028 1H09I  OPER INFO  SYSXXX=534
AR 0028 1H09I  SUBSYSTEM STATUS CHANGE: PPRC PAIR SUSPENDED
==> █

1=HLP 2=CPY 3=END 4=RTN 5=DEL 6=DELS 7=RED 8=CONT 9=EXPL 10=HLD 11=PCUU 12=RTRV
0D62I SCREEN IS FULL WITH HOLD MESSAGES (SET ACT_MSG TO NOHOLD)
ACT_MSG: HOLDRUN          PAUSE: 01  SCROLL: 1  MESSAGE  MODE:  CONSOLE
MA  C 20/006
  
```

A new batch utility will be delivered to turn off (or back on) the hold attribute for the 1H09I PPRC PAIR SUSPENDED message. It can be used as follows:

```

// EXEC SET1H09I,PARM='PPRC=HOLD'

or

// EXEC SET1H09I,PARM='PPRC=NOHOLD'
  
```

VSEn SCRT multi-release support

==C5=====					
Tool Information					
Tool Release	1.2.0	GA			
Reporting Period	2 May 2025 - 1 Jun 2025 inclusive (31 days)				
==E5=====					
Product Summary Information					
MLC Product Name	MLC Product ID	Tool MSUs	Customer MSUs	Customer Comments (255 chars max)	
VSEn	(All)	33			
VSEn V6.3	VN6-63C	1			
VSEn V6.4	VN6-64C	17			
VSEn V7.1	VN7-65C	33			
VCDD for VSEn 4.0	VV4-DV4	33			
OLTP for VSEn 2.3	VO2-OV2	33			
SMDMU for VSEn	SU1-SU1	33	(optional)		(conditional)
High Level Assem	VA1-HV1	33	(optional)		(conditional)

VSEⁿ System License Key support

- 21CS generates the System License Key (SLK) on the basis of customer information:
 - VSEⁿ release
 - Machine serial number
 - Start date and end date
 - Processor (including machine type and model-capacity identifier)

All the fields (excluding start date and end date) from above can be found in the output of the AR command SIR as following:

```
SIR
AR 0015 CPUID VM = 00036A2839328000          VSEn = FF01111039328000
AR 0015 PROCESSOR = IBM 3932-Q06 02 (46A2802) LPAR = Z203          No. = 0003
AR 0015 CPUs = 0002 (Ded.=0000 Shr.=0002) Cap. = 33%
AR 0015 VM-SYSTEM = z/VM 7.2.0 (2302) USERID = PTHVSE17 VMCF = ON
AR 0015 CPUs = 0002 Cap. = 100%
AR 0015 PROC-MODE = z/Arch(64-BIT) IPL(240) 14:10:47 07/31/2025
AR 0015 SYSTEM = VSEn 6.4.0 06/02/2025
AR 0015 VSEn/AF 9.6.0 DRIVER01 05/26/2025
AR 0015 VSEn/POWER 9.6.0 GA-LEVEL 08/07/2024
```

```
VSEn release: 6.4
Machine serial number: 46A2802
Processor: 3932-Q06
```

VSEⁿ System License Key support

- During IPL the SLK subsystem reads the System License Key file from disk: IJBSLK.KEY file in IJSYSRS.SYSLIB sublibrary
- This file is not supplied with VSEⁿ and usually is created automatically when the System License Key is entered for the first time.
- If this file is not found on the disk, the SLK system asks to enter a valid System License Key provided by 21CS

```
BF-0000 OK01A Enter VSEn license key (alphanumeric only):
```

```
==> 0 RTWVU4YY4EMS7F489PH4WV3F414K8RU02
```

Note: System License Keys in this document are sample keys and are invalid for actual VSEⁿ systems.

If the key is invalid, the SLK system will reply with message:

```
OK02E VSEn license key is not valid.
```

and requests to enter the key once more.

After 3 attempts of invalid key entering, the SLK system will be delayed with message:

```
OK07I System key service is temporary unavailable. Wait please.
```

After the delay the System License Key can be entered again.

VSEⁿ System License Key support

- The SLK system periodically checks the System License Key during the usual VSEⁿ system working. It validates the expiration time and other parameters of the system in the currently active System License Key
- If expiration date is less than 30 days but more than 7 days, it provides a weekly notification by displaying the message:

```
OK03I VSEn License key will expire in xx days
```

- If the time before the expiration is less than 7 days but more than 1 day, the SLK system notifies daily.
- If the time before expiration is less than 1 day, the SLK system notifies every 30 minutes, and the message will be:

```
OK04I VSEn will be stopped today at 24:00. Enter the new valid system  
license key.
```

VSEⁿ System License Key support

- In case of an expired System License Key, VSEⁿ is forced into a SUSPEND state. The SUSPEND process is not safe for programs, data bases, inter-partition and intersystem communications. The best practice is to avoid a SUSPEND and provide the new System License Key for the VSE n system in advance
- The user can provide the new System License Key for the VSE n system in 2 ways:
 - By using the IJBSKU utility to save the new key in both – SLK file and in memory (not available in SUSPEND state) or
 - By using the SYSKEY AR command for loading the key into memory only (available in SUSPEND state, if AR command buffer is not overflowed)
- To support the possibility of dynamically increasing the capacity, the SLK system supports a so-called Passive System License Key. This key is kept in memory only and is not saved on disk. Therefore, after (re-)IPL, this key needs to be provided again. The Passive System License Key can be specified for the VSEⁿ system using the SYSKEY PKEY=xxxxxxxxxxxxx AR command

VSEⁿ Connectors support for the latest LTS Java Runtime Environments

```
C:\Program Files\21CSW\VSEn Health Checker>IF EXIST "C:\OpenJDK8\java-1.8.0-openjdk-1.8.0.392\java-1.8.0-openjdk-1.8.0\bin\java.exe" SET JAVA_EXEC="C:\OpenJDK8\java-1.8.0-openjdk-1.8.0.392\java-1.8.0-openjdk-1.8.0\bin\java.exe"
```

```
C:\Program Files\21CSW\VSEn Health Checker>"C:\OpenJDK8\java-1.8.0-openjdk-1.8.0.392\java-1.8.0-openjdk-1.8.0\bin\java.exe" -version
openjdk version "1.8.0_392"
OpenJDK Runtime Environment (build 1.8.0_392-b08)
OpenJDK 64-Bit Server VM (build 25.392-b08, mixed mode)
```

```
C:\Program Files\21CSW\VSEn Health Checker>"C:\OpenJDK8\java-1.8.0-openjdk-1.8.0.392\java-1.8.0-openjdk-1.8.0\bin\java.exe" com.ibm.vse.healthcheck.VSEHealth
Java version: 1.8.0_392
```

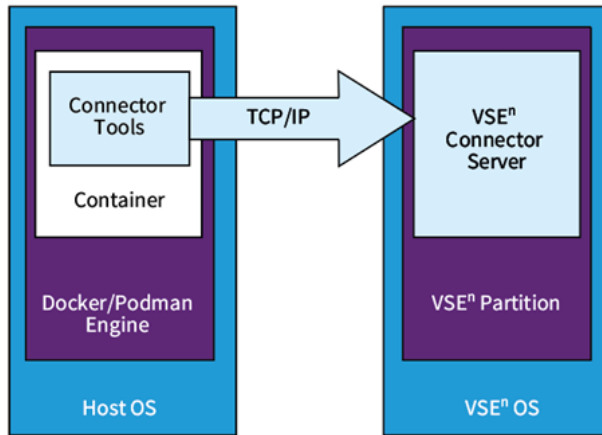
```
C:\Program Files\21CSW\VSEn Health Checker>"C:\jdk-17.0.2\bin\java.exe" -version
openjdk version "17.0.2" 2022-01-18
OpenJDK Runtime Environment (build 17.0.2+8-86)
OpenJDK 64-Bit Server VM (build 17.0.2+8-86, mixed mode, sharing)
```

```
C:\Program Files\21CSW\VSEn Health Checker>"C:\jdk-17.0.2\bin\java.exe" com.ibm.vse.healthcheck.VSEHealth
Java version: 17.0.2
```

```
C:\Program Files\21CSW\VSEn Health Checker>java.exe -version
openjdk version "21.0.1" 2023-10-17
OpenJDK Runtime Environment (build 21.0.1+12-29)
OpenJDK 64-Bit Server VM (build 21.0.1+12-29, mixed mode, sharing)
```

```
C:\Program Files\21CSW\VSEn Health Checker>java.exe com.ibm.vse.healthcheck.VSEHealth
Java version: 21.0.1
```

VSEⁿ Connectors Cloud Native (containers) support



```
[root@localhost vtape]# podman run -d \
-v /home/vsenlinux/Documents/rosem/Config/vtape/VirtualTapeServer.properties:/virtualtape/VirtualTapeServer.properties:Z \
-v /home/vsenlinux/Documents/rosem/Config/vtape/TapeImageFormats.properties:/virtualtape/TapeImageFormats.properties:Z \
-v /home/vsenlinux/Documents/rosem/Config/vtape/TSMConfig.properties:/virtualtape/TSMConfig.properties:Z \
-v /home/vsenlinux/Documents/rosem/Tapes:/VIRTUALTAPELIB:z \
-it -p 10.30.10.31:2386:2386 \
virtualtape
33944b97563e14c58dd4fd6d0900683751d3ddc8ef9884256e7dd9bc7bae4111
[root@localhost vtape]# podman logs 33944b97563e14c58dd4fd6d0900683751d3ddc8ef9884256e7dd9bc7bae4111
Licensed Materials - Property of IBM
(C) Copyright IBM Corp. 1998, 2018. All Rights Reserved.

US Government Users Restricted Rights -
Use, duplication or disclosure restricted by
GSA ADP Schedule Contract with IBM Corp.

(C) Copyright 21st Century Software, Inc. 2022.

VirtualTapeServer starting...
VirtualTapeServer listening on port 2386
Enter 'quit' to stop the server

[root@localhost vtape]#
```

```
[root@localhost vsenlinux]# podman ps -a
```

CONTAINER ID	IMAGE	COMMAND	CREATED	STATUS	PORTS	NAMES
7c99831e9212	localhost/databasecliserver:latest		7 weeks ago	Up 7 weeks	10.30.10.31:16178->16178/tcp	quirky_visvesvaraya
215bf9522d14	localhost/redirector:latest		7 weeks ago	Up 7 weeks	10.30.10.31:2387->2387/tcp	objective_gould
57bcc2705cd9	localhost/vsenscriptserver:latest		2 days ago	Up 2 days	10.30.10.31:4711->4711/tcp, 2386/tcp	zen_easley
ac6555218dfe	localhost/virtualtape:latest		2 days ago	Created	10.30.10.31:4711->4711/tcp, 2386/tcp	stupefied_agnesi
33944b97563e	localhost/virtualtape:latest		2 days ago	Up 2 days	10.30.10.31:2386->2386/tcp	stupefied_feistel

```
[root@localhost vsenlinux]#
```